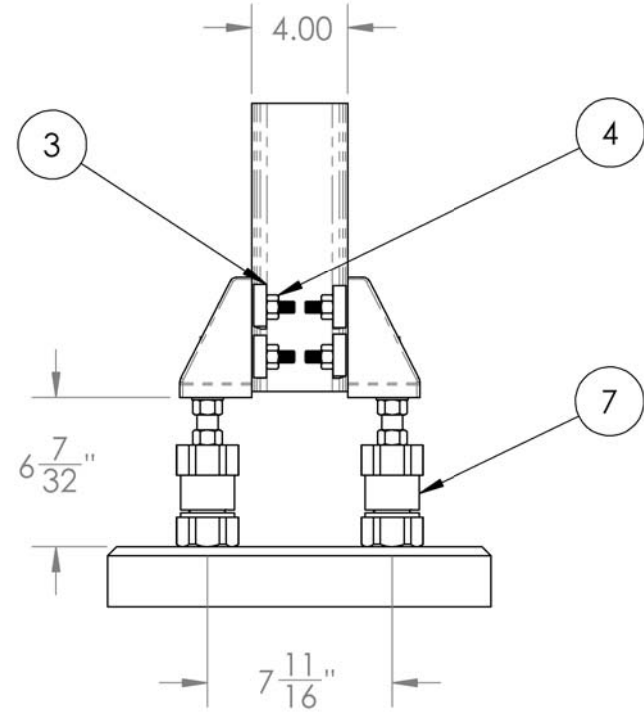
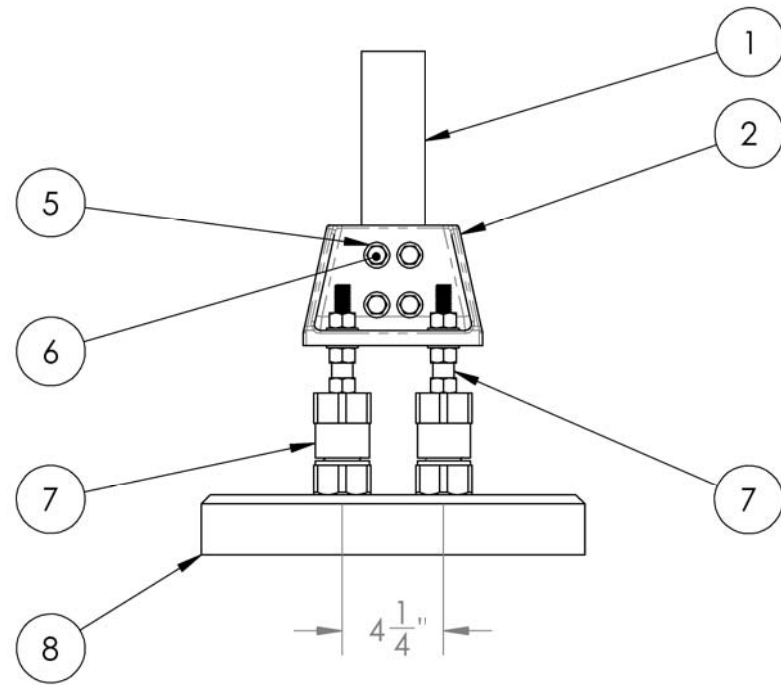


ISOMETRIC VIEW

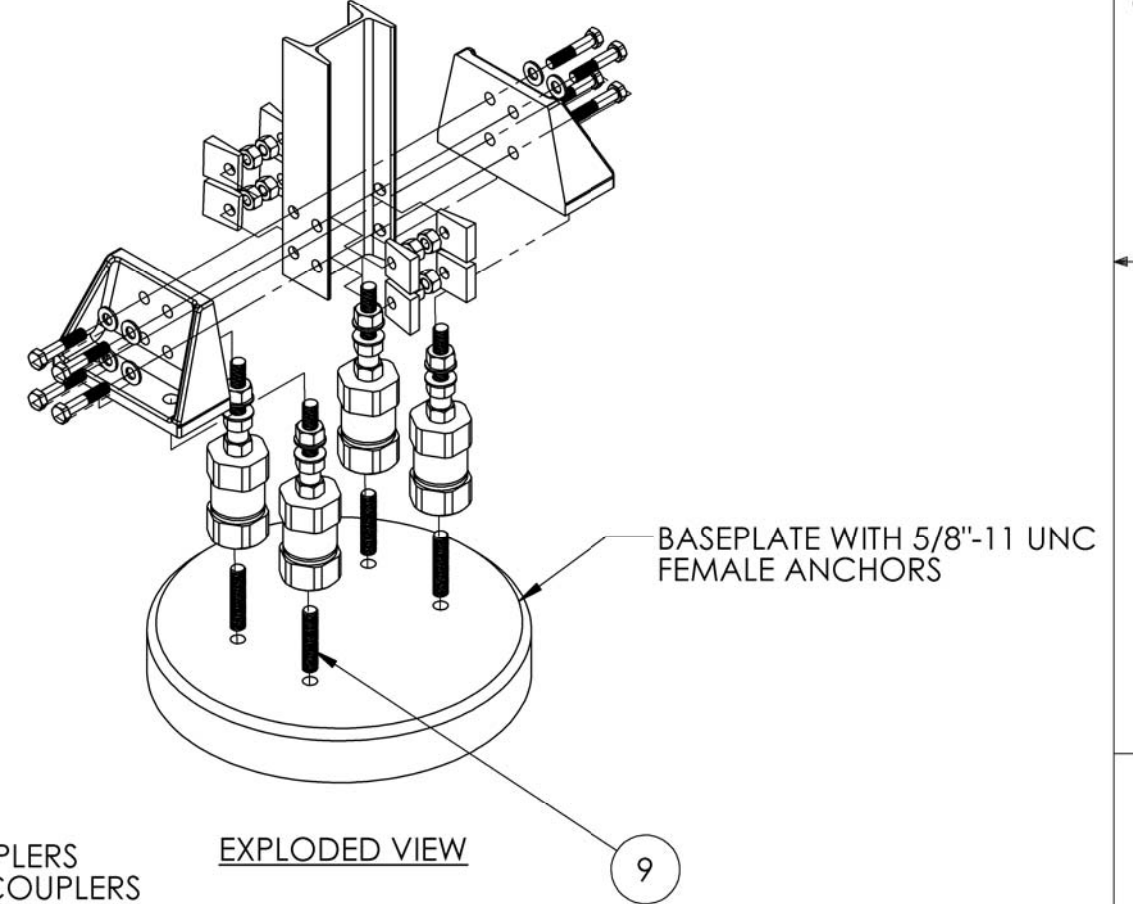
ITEM NO.	PART NO.	DESCRIPTION	TYPE 1/QTY.	TYPE 2/QTY.	MATERIAL
1		LOWER SUPPORT COLUMN	1	1	
2	M20	S SECTION BASE BRACKET	2	2	DUCTILE IRON - HOT DIP GALV. ASTM A153
3	M21	CLIPPED SQ. GALV. BEVEL WASHER	8	8	ASTM F 436
4	M24	1/2"-13 UNC GALV. HEAVY HEX NUT	8	8	ASTM A194 GR 2H
5	M23	1/2" NOM. GALV. FLAT WASHER	8	8	ASTM F436
6	M22	1/2"-13 UNC GALV. HEX BOLT X 2 1/2" LG	8	8	ASTM A325
7	C10S ASSY	PLAIN COUPLER C10S ASSY	4	-	
7	C10SG ASSY	GALV. COUPLER C10S ASSY	-	4	
8		CONCRETE BASE FEMALE ANCHORS	1	1	
9	M32	5/8"-11 UNC GALV STUD X 3" LG.	4	4	ASTM A193 GR. B7



FRONT VIEW



SIDE VIEW



EXPLODED VIEW

NOTES:

- REFER TO INSTALLATION INSTRUCTIONS
- SEE DRAWING SB501-1 FOR MALE ANCHOR INSTALLATION
- SEE DRAWING SB501-3 FOR KNEE PLATE INSTALLATION

TYPE 1: ALL GALV. COMPONENTS EXCEPT COUPLERS  
 TYPE 2: ALL GALV. COMPONENTS INCLUDING COUPLERS

DO NOT SCALE THIS DRAWING

PROPRIETARY AND CONFIDENTIAL

THE INFORMATION CONTAINED IN THIS DRAWING IS THE SOLE PROPERTY OF SAFETY BASE LTD.. ANY REPRODUCTION IN PART OR AS WHOLE WITHOUT THE WRITTEN PERMISSION OF SAFETY BASE LTD. IS PROHIBITED.

REV.	DESCRIPTION	APPROVED	DATE	NAME	DATE

TOLERANCES UNLESS SPECIFIED  
 FRACTIONAL ± 1/32"  
 TWO PLACE DECIMAL ± .02"  
 THREE PLACE DECIMAL ± .002"  
 ANGULAR ± 1°  
 DIMENSIONS INCHES  
 SCALE: 1:8



**SAFETY BASE LTD.**  
 "S" Section Post Support  
 General Assembly  
 Female Anchor Installation

FILE No.: T001 04 03

SIZE <b>B</b>	DWG. NO. <b>SB501-2</b>	SHEET 1 OF 1	REV. <b>2</b>
------------------	----------------------------	--------------	------------------