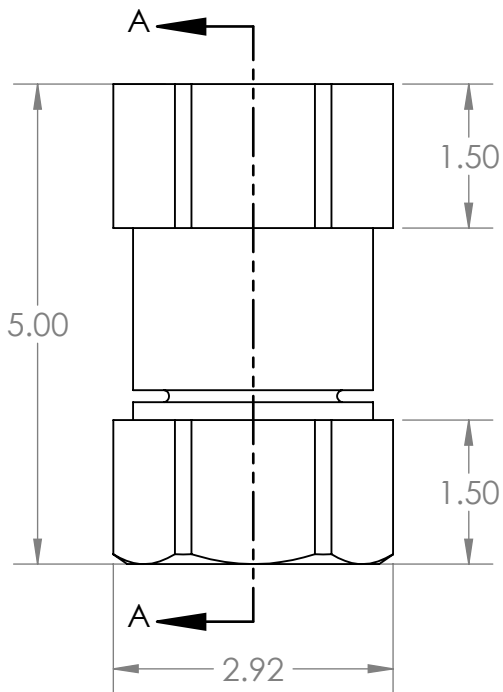
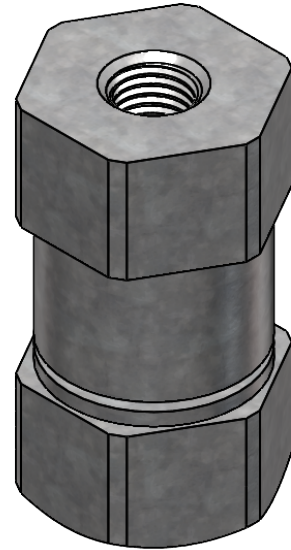
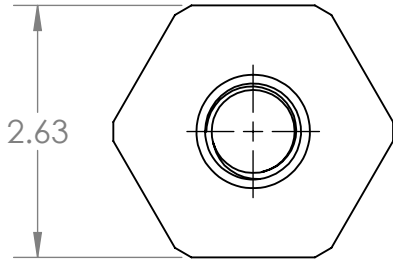
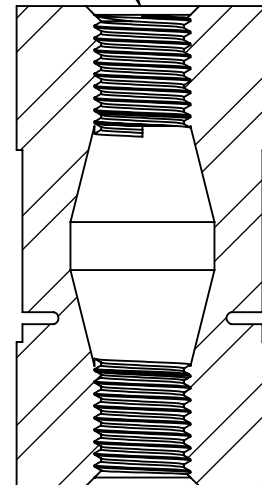


PartNo C5	DESCRIPTION C5 COUPLING	MATERIAL CAST GRAY IRON
--------------	----------------------------	----------------------------



TAP 1"-8 UNC




TAP 1"-8 UNC

SECTION A-A

NOTES:

1. THIS DRAWING IS TO BE USED IN SAFETY BASE LUMINAIRE ASSEMBLY
2. PLEASE REFER TO SAFETY BASE LTD INSTALLATION INSTRUCTIONS

				NAME AS	DATE SEPT 7/21	
				CHECKED		
				DIMENSIONS ARE IN INCHES TOLERANCES: FRACTIONAL: ± ANGULAR: MACH ± BEND ± TWO PLACE DECIMAL ± THREE PLACE DECIMAL ±		
DO NOT SCALE DRAWING						SIZE DWG. NO. <b>A</b> C5 Coupler
Description		DATE	SCALE: 1:4	SHEET 1 OF 1		REV.